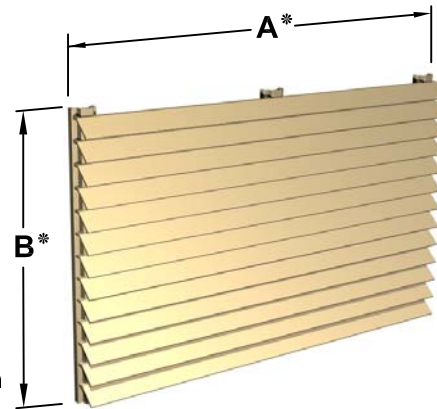


MODEL EL-1-CO

PTAC GRILLE-CORE ONLY

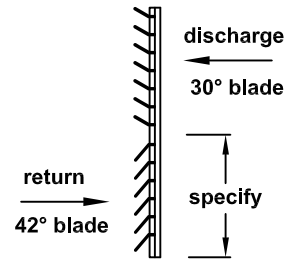
APPLICATION AND DESIGN:

The EL-1-CO is generally used as a decorative louver that is installed with PTAC applications. It consist of a Core Only that mounts directly to the PTAC. It comes with #10 x 1" mounting bolts for installations. The free area is approximately 65% which provides minimal resistance to airflow. This grille is available with an optional split airflow design which allows discharge and return air to flow through the same grille simultaneously.

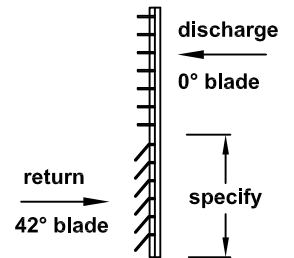


EL-1-CO w/30° Blades Shown

Split Airflow Option



Design #1



Design #2

STANDARD CONSTRUCTION:

Blade: 0.064" [1.63mm] 6063-T5 Extruded Aluminum placed on 0.775" [19.69mm] centers (available in 30° or 42°)

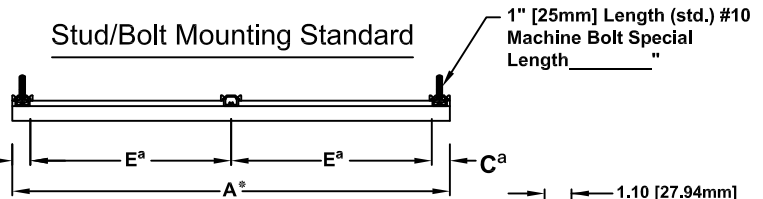
Blade Brace: 0.064" [1.63mm] 6063-T5 Extruded Aluminum

Finish: Mill Aluminum

Max Single Section: 120"w x 84"h [3048mm x 2134mm]
(Multi-section Units Available)

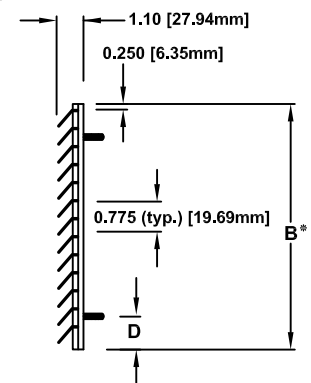
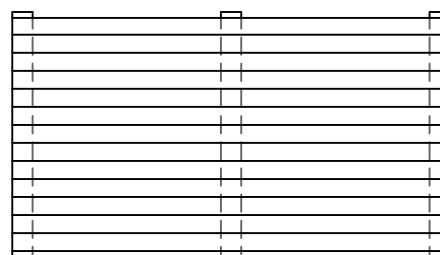
OPTIONS:

- Blade Degree: 30°, 42°
- Insect Screen (Other Screens Available, See Screen Page)
- Blade Direction: Facing Up, Facing Down
- Split Airflow Design: Design #1, Design #2
 - Return Height: _____"



AVAILABLE FINISHES:

- Durable Polyester (AAMA 2604)
- 70% PVDF Fluoropolymer (AAMA 2605)
- Yellow Primer
- Clear Anodize
- Dark Bronze Anodize



Qty.	"A" (width)	"B" (height)	"C ^a " (specify)	"D" (specify)	Tag

^a "E" Not to Exceed 16" [406mm]

*Width and Height dimensions are approximately 1/4" [6.35mm] under listed size.

Due to continuing research, United Enertech reserves the right to change specifications without notice.



3005 South Hickory Street
Chattanooga, Tennessee 37407
Tel: (423) 698-7715
Fax: (423) 698-6629
www.unitedenertech.com

MODEL EL-1-CO (PTAC GRILLE-CORE ONLY)

DRAWN BY: CLJ	DATE: 5-4-10	REV. DATE: 4-6-20	REV. NO. 2	DWG. NO.: A-42
------------------	-----------------	----------------------	---------------	--------------------------